

UltraKey Lite

VIDEO MATRIX KEYBOARD

Honeywell's UltraKey Lite keyboard is an industry-leading design for reliable, user-friendly control of video management systems. It works on both the MAXPRO-Net and VideoBloX Matrix controllers to provide a uniform user interface regardless of system controller.

The UltraKey Lite incorporates a touch wheel for rapid camera selections and digital or networked video recorder control, and a touch ring with four keys for various functions. Dedicated DVR/NVR buttons are programmable for device control. Laser cut keys with blue backlight provide a fade free, familiar QWERTY keyboard feel, and the rubber wrist pad is user replaceable.

Multiple control interfaces include TCP/IP, RS232, RS422 and RS485 through convenient RJ45 connector. A breakout box is available to convert to screw terminal or DB9 for RS232, and a USB port is also available for future connection options. The DC power supply connector uses a unique twist-lock mechanism to prevent accidental unplugging. Power over Ethernet (PoE) option is also available. The UltraKey Lite has its own web browser for simple configuration and firmware upgrades.

The UltraKey Lite has a two-line LCD that offers system feedback and simple keyboard configuration, and a 3-axis variable speed joystick with twist zoom controls variable speed PTZ mechanisms. The addition of focus controls on the left and right of the joystick allows either left or right-handed persons to use the controller effortlessly.

In VideoBloX mode, 20 function keys are available for sequence triggering or groups and scenes. In addition, the Mon A, Mon B, Tour and MUX keys trigger specific sequences in the VideoBloX CPU.

In MAXPRO-Net mode, standard keys such as PTZ call, alternate camera selection, sequence selection, tours, mux selection and NVR control functions are present. Through MAXPRO-Net Setmax, each key can be intercepted and the desired function programmed using macros.

Market Opportunities

For both MAXPRO-Net and VideoBloX CPU matrix options, the UltraKey Lite provides a real-time intuitive method of control for small to large matrix opportunities. The UltraKey Lite is a mid-tier keyboard option for MAXPRO-Net systems with added advantages of TCP/IP connectivity and the option to use RS422 for remote applications. This eliminates the need for external RS422 adapters, especially when used in conjunction with the MegaPIT™.

The UltraKey Lite is a direct replacement to the HEGS5BLX or PCK variants for the VideoBloX and VideoBloX Lite CPUs. With the VideoBloX NetCPU, the TCP/IP option offers connectivity over a LAN.

Features

- Touch wheel for DVR/NVR control
- Multiple connectivity options (RS232/422/485 and TCP/IP)
- Web browser for easy upgrading and configuring
- Keys are backlit with pleasant adjustable blue LED
- Keys are laser cut and fade free
- Mon A, Mon B keys for quick monitor selection
- MAXPRO-Net and VideoBloX compatible
- Power over Ethernet



SPECIFICATIONS

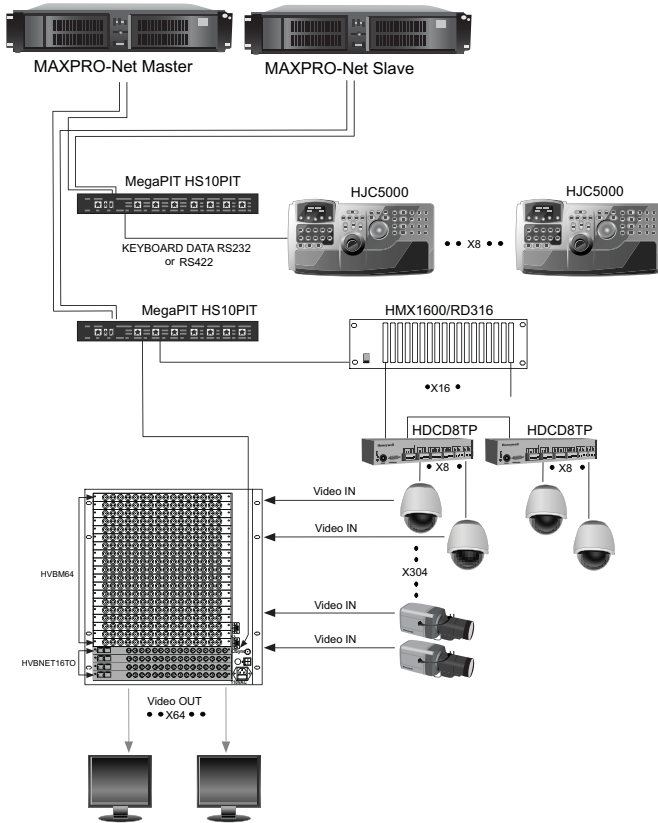
Operational	
Modes	MAXPRO-Net and VideoBloX
Baud Rates	1200, 4800, 9600, 19200, 57600
Operating Distance	RS232: 50' (15.2m) RS422: 4000' (1219m) LAN: 328' (100m)
Joystick	3-axis proportional control
Keys	Laser cut with blue backlight
Touch Wheel	Both Modes: DVR/NVR control VideoBloX: Camera selection
Standard Keys	0-9, Clr, Ent, Cam, Mon, Mux, Device, Alarm, Seq, Login
Camera Function Keys	View, Tour, PTZ Call, Alt, Undo, Set, Iris, (2) Focus, MonA, MonB
DVR/NVR Keys	Rec/Stop, Play Fwd, Play Rev, Review, Search, Touch Pad and Ring for FF, REW, Step FWD, REV
Function Keys	MAX Mode: (18) F1-9, F10+F1-9 VideoBloX: (20) F1-10, Alt+F1-F10
LCD	STN, Positive image, 122 x 32 Dots, Blue White backlight
Electrical	
Input Voltage	110-240 VAC (50 or 60 Hz)
Operating Voltage	12 VDC or POE (48 VDC, Class 3)
Power Consumption	1 A @ 12 VDC (12 W)
Mechanical	
Dimensions (W x H x D)	16" x 4.1" x 8.5" 408 mm x 105 mm x 215 mm
Gross Weight	7 lbs (3.2 Kg)
Construction	ABS+PC (Cool Gray)

Connections	
LAN	RJ45 with POE
COM 1 and 2	20% to 80%, non-condensing
USB	Type A, Version 1
Regulatory	
Emissions	FCC: CFR 47 Part 15 Class B CE: Class B (EN 61000-6-3:2001 2004/108/EC) ICES-003 CISPR 22:2005 (AS/NZS 4417.1:1996)
Immunity	EN50130-4/A2:2003
Safety	UL 60950-1 EN 60065:2006 (2006/95/EC)

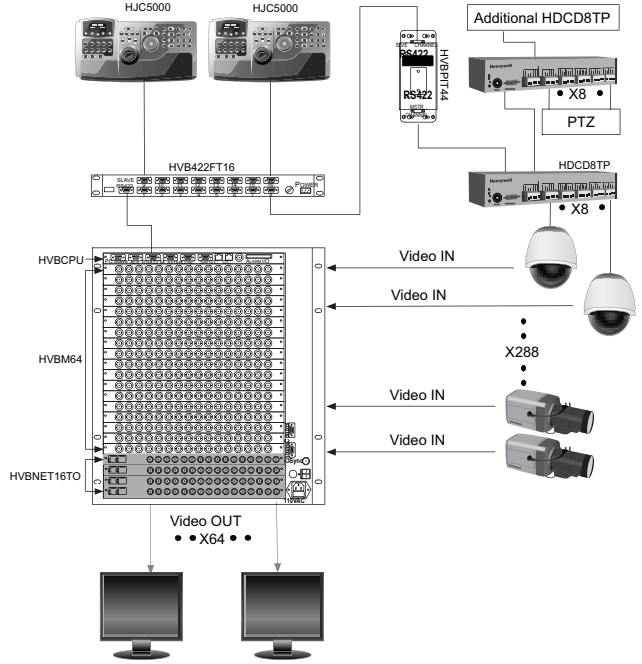
UltraKey Lite

TYPICAL SYSTEM DRAWING

Typical Redundant MAXPRO-Net Application



Typical VideoBloX Application

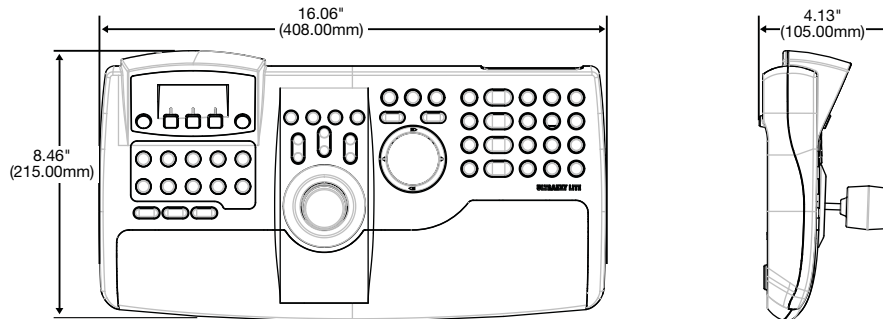


UltraKey Lite

www.honeywellvideo.com

ACCESSORIES, DIMENSIONS, ORDERING

Included Accessories	
Power Supply	100-240 VAC, 12 VDC, 50-60 Hz, 1 A, 12 W
AC Plug Adapter	UK, US, Australia, Europe
DB9 Female Adapter	(2) RJ45 to DB9F, for RS232
DB9 Male Adapter	RJ45 to DB9M, for RS422
LAN Patch	(2) RJ45 network cable, 2m
LAN Crossover	RJ45 Cross-over Ethernet Cable, 2m, Blue
RJ11 Cable	RJ11 4X6 Flat Ribbon Cable, 2m
Break Out Box	RJ45 to Screw Terminal and DB9M
Function key overlay	Function Key Label, Blank



NOTE: Honeywell reserves the right, without notification, to make changes in product design or specifications.

Ordering	
HJC5000	Keyboard controller for VideoBloX and MAXPRO-Net

Honeywell Security Group

Honeywell
2700 Blankenbaker Pkwy, Suite 150
Louisville, KY 40299
1.800.796.CCTV (2288)
www.honeywell.com

Honeywell

L/ULTRKYLTD/D
October 2010
© 2010 Honeywell International Inc.